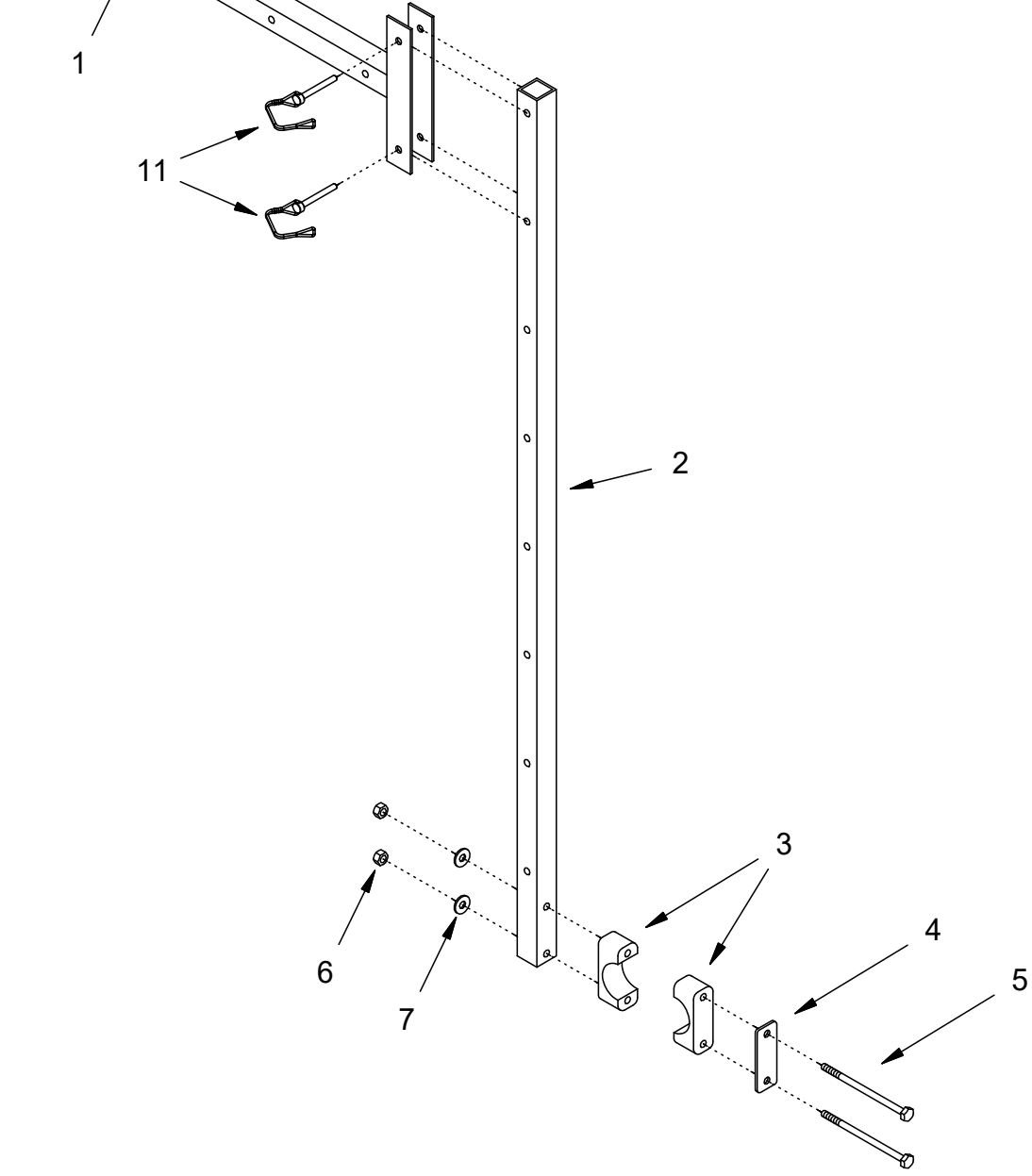


Item	Qty	Part Number	Description
1	1	FAB-3007-SS	Stainless Spray Bar Mount
2	1	FAB-3008-SS	Stainless Spray Bar Mount: Vertical
3	2	LHA-CLH-6200-PP	Set 2T Block
4	1	LHA-SCP-6-SS	Stainless Cover Plate
5	2	FAS-SHC-1/4-20X5-SS	Ø1/4-20 x 5 Stainless Hex Cap Screw
6	2	FAS-NYS-1/4-20-SS	Ø1/4-20 Stainless Nyloc Nut
7	2	FAS-WSA-1/4-SS	Ø1/4 Stainless Washer
8	2	FAS-SHC-5/16-18X2 1/2-SS	Ø5/16-18 x 2 1/2 Stainless Hex Cap Screw
9	2	FAS-NYS-5/16-18-SS	Ø5/16-18 Stainless Nyloc Nut
10	4	FAS-WSA-5/16-SS	Ø5/16 Stainless Washer
11	2	FAS-SSP-5/16X2 1/2-SS	Ø5/16" x 2 1/2" Stainless Safety Snap Pin



NOTES:

- 1. 2 Sets per Assembly

NORSTAR INDUSTRIES, INC.		2302 A St. S.E. Auburn WA 98002	
TITLE: STAINLESS STEEL ANTI-ICE SKID SPRAYBAR MOUNTING			
DRAWN BY:	CHECKED BY:	SCALE:	PAGE:
J GOULET			1/1
DATE CREATED:	DRAWING NUMBER:	DATE REVISED:	
12/23/03	ASM-7003-SS	11/12/18	