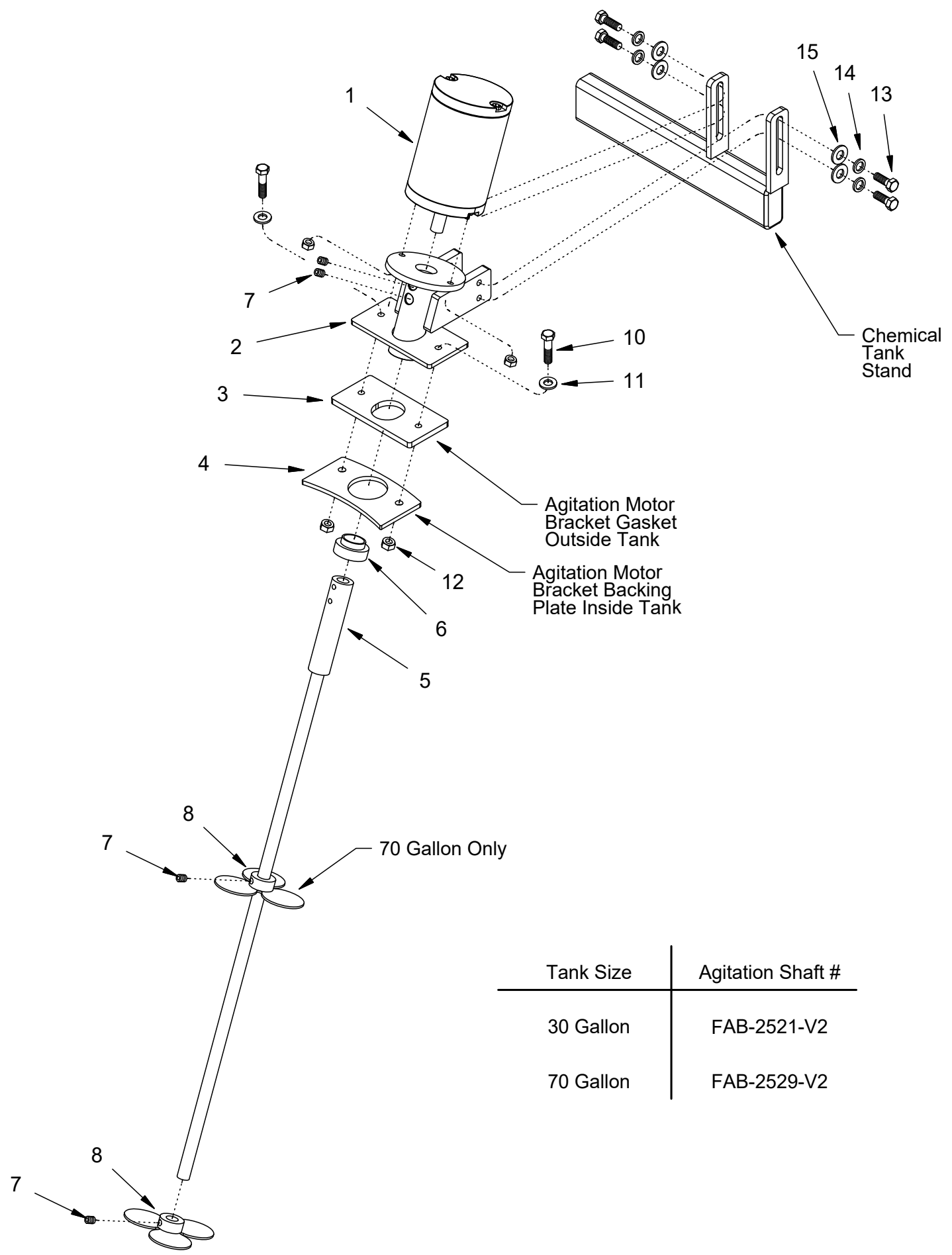
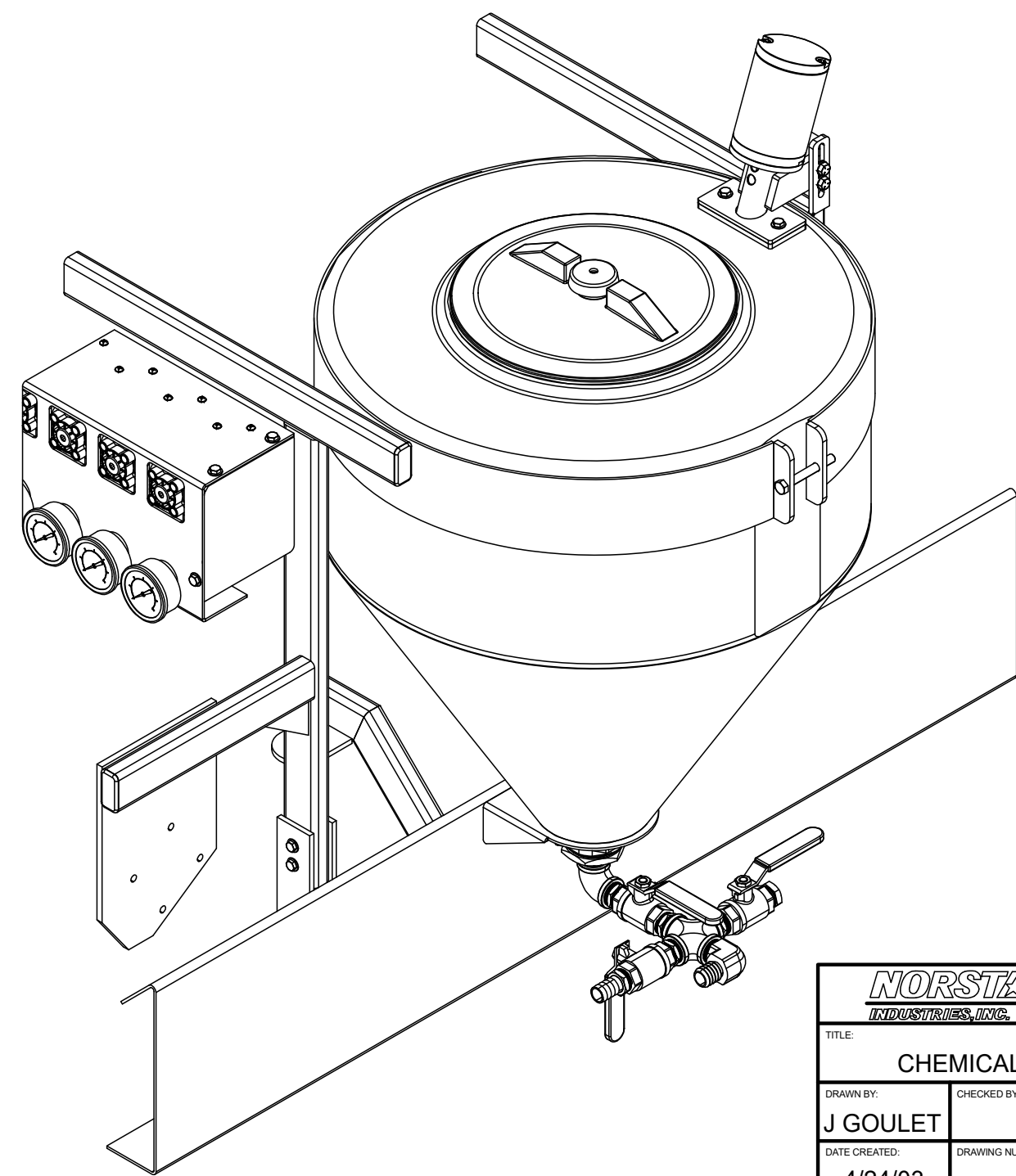


Item	Qty	Part Number	Description
1	1	SPR-6150	Agitation Motor
2	1	FAB-2530	Agitation Motor Bracket Assy
3	1	SPR-6152	Agitation Motor Bracket Gasket
4	1	FAB-2532	Agitation Motor Bracket Backing Plate
5	1	FAB-25XX-V2 (See Note)	Agitation Shaft
6	1	FAB-2533	Agitation Shaft Seal
7	3 or 4	FAS-SSS-1/4-20X.25-SS	Stainless Set Screw
8	1 or 2	FAB-2512	Stainless Agitaton Prop
9	2	FAS-NYS-10-32-SS	10-32 Stainless Nyloc Nut
10	2	FAS-SHC-1/4-20X1-SS	1/4-20 x 1 Stainless Hex Cap Screw
11	2	FAS-WSA-1/4-SS	1/4" SAE Stainless Washer
12	2	FAS-NYS-1/4-20-SS	1/4" Stainless Nyloc Nut
13	2	FAS-SHC-5/16-18X3/4-S	5/16-18 x 3/4 Hex Cap Screw
14	2	FAS-WLO-5/16-S	5/16" Lock Washer
15	2	FAS-WUS-1/4-S	1/4" Flat Washer



Tank Size	Agitation Shaft #
30 Gallon	FAB-2521-V2
70 Gallon	FAB-2529-V2



NORSTAR INDUSTRIES, INC. 2302 A St. S.E. Auburn WA 98002

TITLE: **CHEMICAL TANK AGITATION**

DRAWN BY: J GOULET	CHECKED BY:	SCALE:	PAGE: 1/1
DATE CREATED: 4/24/03	DRAWING NUMBER:	DATE REVISED:	2/4/05