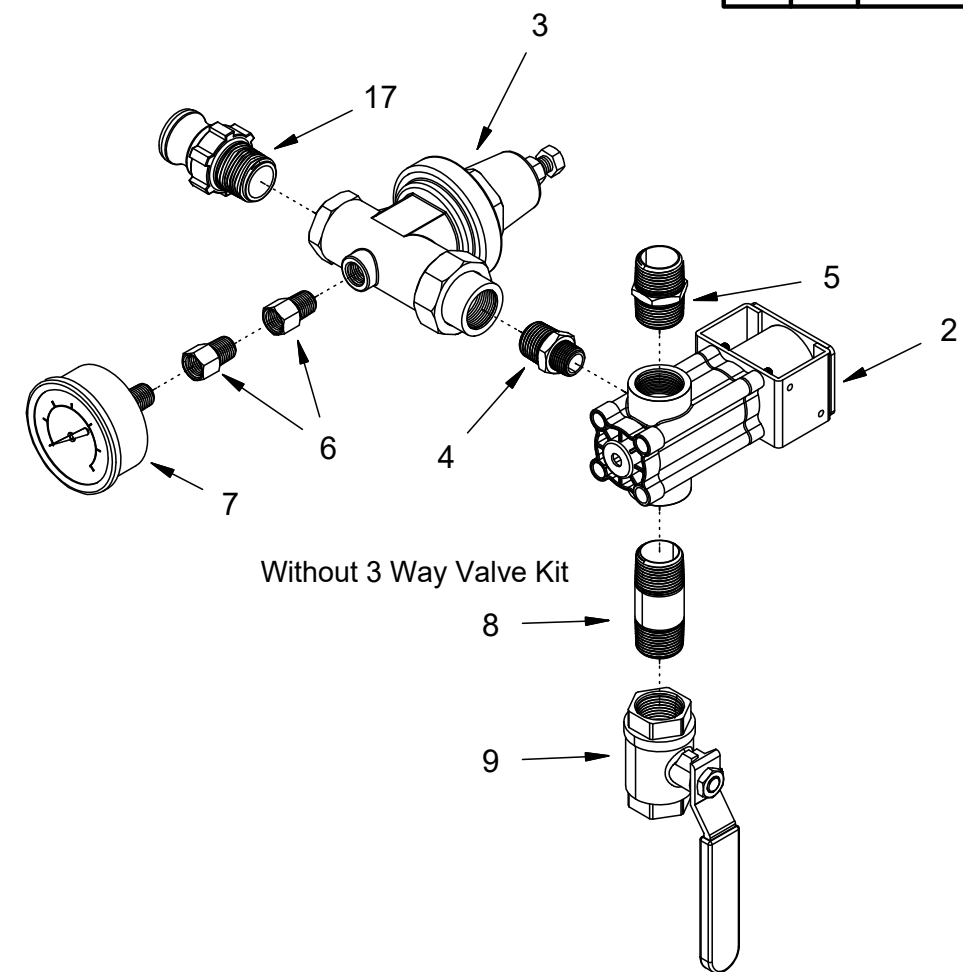


Item	Qty	Part Number	Description
1	1	FAB-3037	9 Section Solenoid Bracket
2	9	SPS-AA144A-1-V1	144A Solenoid Valve
2A		SPS-AB144-1-VI-KIT	144A Solenoid Repair Kit (Not Shown)
3	9	SPR-5340-VI	3/4" Pressure Regulator
3A		SPR-5340-KIT	Repair Kit (Not Shown)
4	9	BRF-HXN-12MPX08MP	3/4" x 1/2" Brass Hex Nipple
5	9	PPF-HXN-12MP-SHORT	3/4" Poly Hex Nipple
6	18	BRF-ADP-04FPX04MP	1/4" x 1/4" Brass Adapter
7	9	SPR-4827	Liquid Filled Pressure Gauge 0-60 PSI
8	1	BRF-NIP-12MPX2.5	3/4" x 2 1/2" Brass Nipple
9	1	LHA-BV12N	3/4" Brass Ball Valve
10	1	FAB-3029	Stainless Steel Inlet Fitting
11	1	BRF-SBR-16BX12MP	1" x 3/4" Brass Straight Barb
12	1	LHA-BV08N	1/2" Brass Ball Valve
13	1	SPR-6520	Flow Sensor
14	1	BRF-SBR-08BX08FP	1/2" Brass Straight Barb
15	1	SPR-4828	Liquid Filled Pressure Gauge 0-100 PSI
16	18	FAS-SRP-10-24X3/8-SS	Stainless Steel Round Head Screw
17	9or16	PPF-MQD-12MP	3/4" Poly Male Quick Disconnect
18	7or14	PPF-FQD-08B	1/2" Poly Female Quick Disconnect
19	2	PPF-FQD-08X	1/2" Poly Quick Disconnect Cap
20	9	MIS-9307K72	7/8" Grommet
21	9	MIS-9307K75	1 1/2" Grommet
22	50'	HSE-7200-08	1/2" Bosflex Hose
23	14	FAS-7655-06	Hose Clamp (2 per length of hose)
24	7	BRF-HXN-12MP	3/4" Brass Hex Nipple
25	7	SPR-5201	3/4" 3-way Ball Valve



NORSTAR
INDUSTRIES, INC.

2302 A St. S.E.
Auburn WA 98002

TITLE:
SOLENOID/REGULATOR ASSEMBLY

DRAWN BY: J GOULET	CHECKED BY:	SCALE:	PAGE: 1/1
DATE CREATED: 3/31/13	DRAWING NUMBER: ASM-3093-V4	DATE REVISED:	