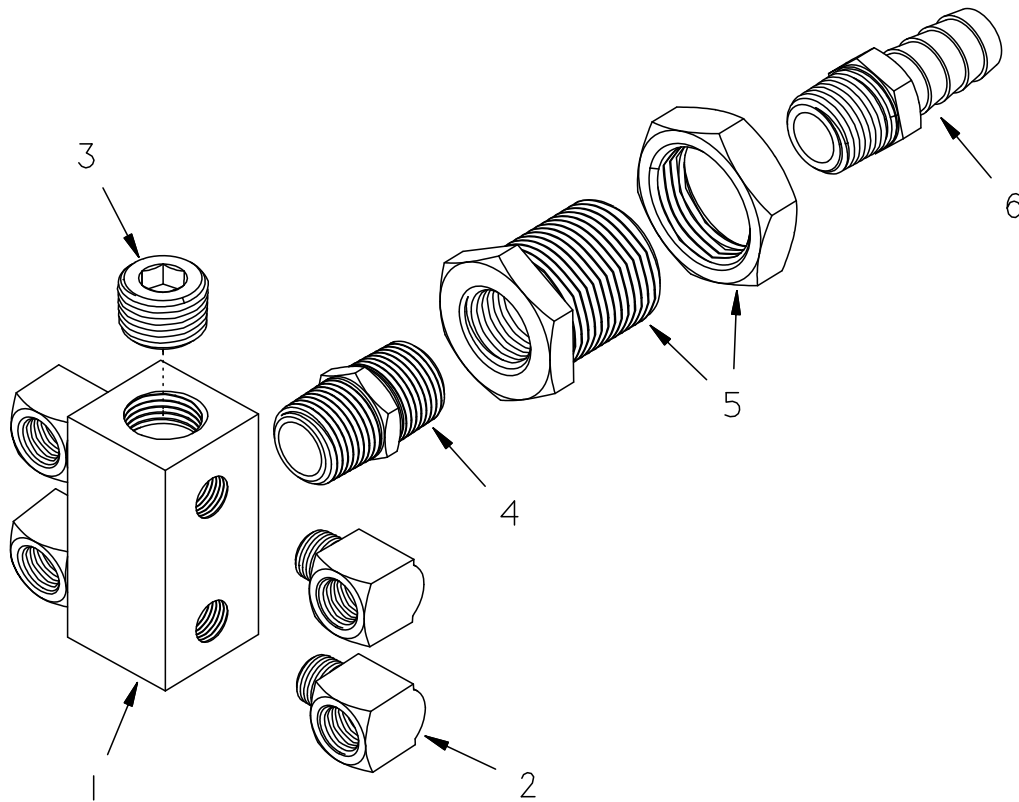


BILL OF MATERIALS

ITEM	QTY	DESCRIPTION	PART NUMBER
1	1	FAB-2265	BRASS NOZZLE MANIFOLD
2	4	BRF-9SL-02P	1/8" 90° STREET ELBOW
3	1	BRF-HHP-06MP	3/8" HOLLOW HEX PLUG
4	1	BRF-HXN-06MP	3/8" HEX NIPPLE
5	1	BRF-BHD-06FP	3/8" BULKHEAD FITTING
6	1	BRF-SBR-08BX06MP	1/2" BARB X 3/8" MALE NPT



**NORSTAR**  
INDUSTRIES, INC.

2302 A ST SE T: (253) 735-1881  
AUBURN WA 98002 F: (253) 735-2051

TITLE: UPPER MANIFOLD SUB-ASSEMBLY			
DRAWN BY: J GOULET	CHECKED BY:	SCALE: 1:2	PAGE: 1/1
DATE CREATED: 12/2/02	DRAWING NUMBER: ASM-3075	REVISION NUMBER:	