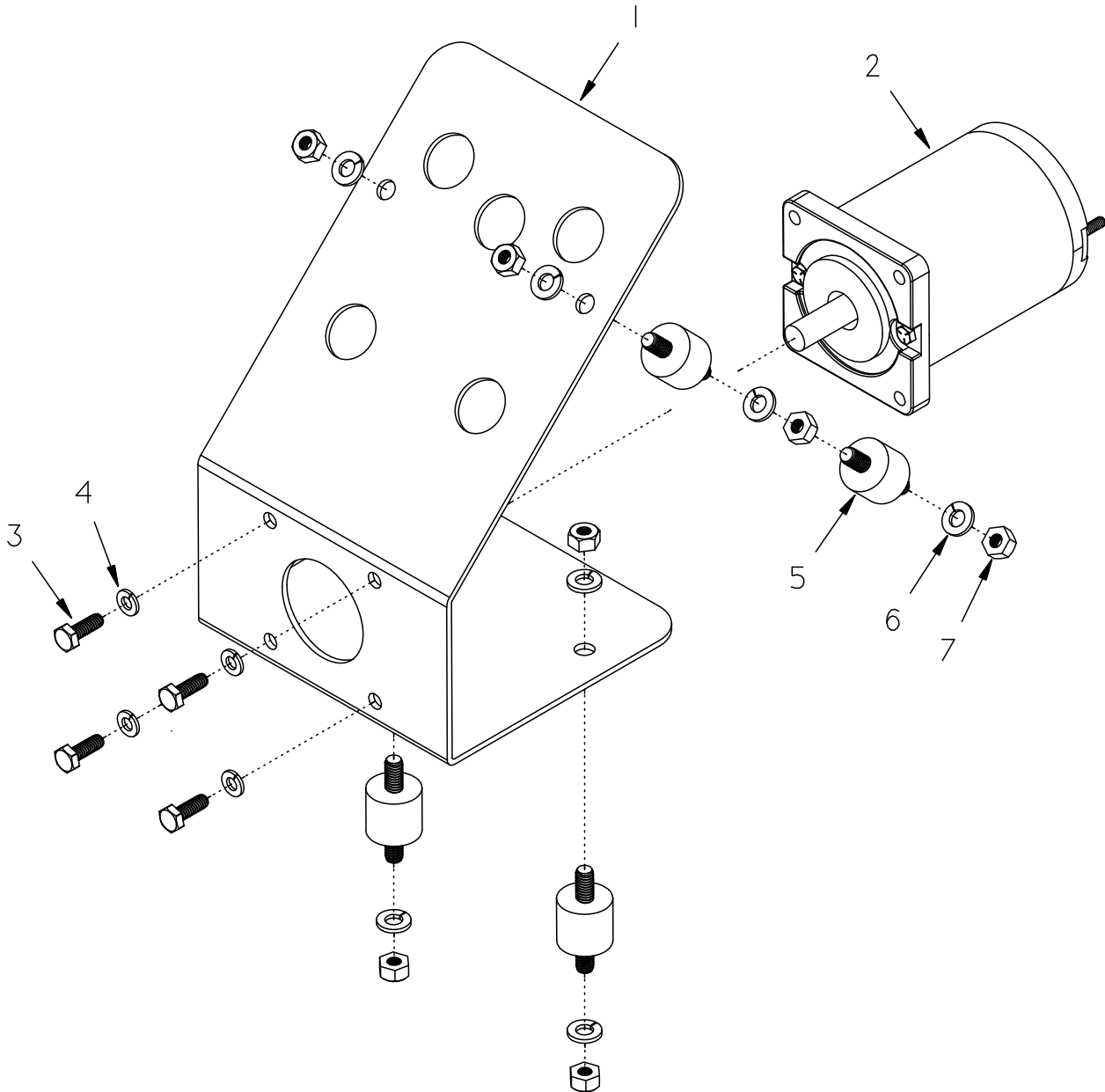


BILL OF MATERIALS

ITEM	QTY	PART NUMBER	DESCRIPTION
1	1	FAB-2011	NUTATING MOTOR BRACKET
2	1	SPR-6160	NUTATING MOTOR
3	4	FAS-SHC-1/4-20X3/4-S	1/4-20 X 3/4" HEX CAP SCREW
4	4	FAS-WL0-1/4-S	1/4" LOCK WASHER
5	4	SPR-4754	5/16" RUBBER MOUNT
6	8	FAS-WL0-5/16-S	5/16" LOCK WASHER
7	8	FAS-NSD-5/16-18-S	5/16-18 HEX NUT



**NORSTAR**  
INDUSTRIES, INC.

2302 A ST SE T: (253) 735-1881  
AUBURN WA 98002 F: (253) 735-2051

TITLE:

NUTATING DRIVE ASSEMBLY

DRAWN BY:

J GOULET

CHECKED BY:

SCALE:

1:3

PAGE:

1/1

DATE CREATED:

12/2/02

DRAWING NUMBER:

ASM-3101

REVISION NUMBER: