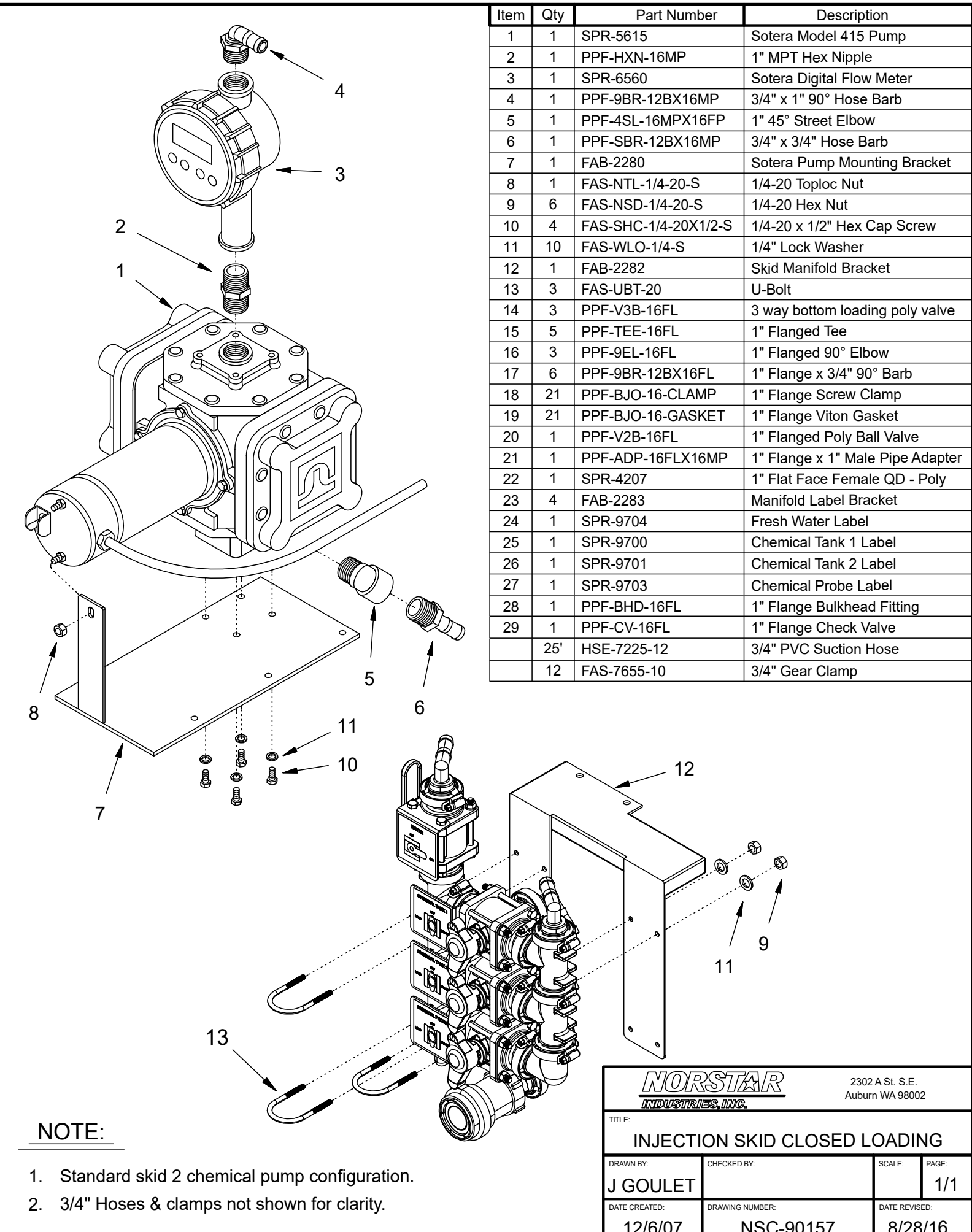


Bulkhead Installed In Water Tank



Item	Qty	Part Number	Description
1	1	SPR-5615	Sotera Model 415 Pump
2	1	PPF-HXN-16MP	1" MPT Hex Nipple
3	1	SPR-6560	Sotera Digital Flow Meter
4	1	PPF-9BR-12BX16MP	3/4" x 1" 90° Hose Barb
5	1	PPF-4SL-16MPX16FP	1" 45° Street Elbow
6	1	PPF-SBR-12BX16MP	3/4" x 3/4" Hose Barb
7	1	FAB-2280	Sotera Pump Mounting Bracket
8	1	FAS-NTL-1/4-20-S	1/4-20 Toploc Nut
9	6	FAS-NSD-1/4-20-S	1/4-20 Hex Nut
10	4	FAS-SHC-1/4-20X1/2-S	1/4-20 x 1/2" Hex Cap Screw
11	10	FAS-WLO-1/4-S	1/4" Lock Washer
12	1	FAB-2282	Skid Manifold Bracket
13	3	FAS-UBT-20	U-Bolt
14	3	PPF-V3B-16FL	3 way bottom loading poly valve
15	5	PPF-TEE-16FL	1" Flanged Tee
16	3	PPF-9EL-16FL	1" Flanged 90° Elbow
17	6	PPF-9BR-12BX16FL	1" Flange x 3/4" 90° Barb
18	21	PPF-BJO-16-CLAMP	1" Flange Screw Clamp
19	21	PPF-BJO-16-GASKET	1" Flange Viton Gasket
20	1	PPF-V2B-16FL	1" Flanged Poly Ball Valve
21	1	PPF-ADP-16FLX16MP	1" Flange x 1" Male Pipe Adapter
22	1	SPR-4207	1" Flat Face Female QD - Poly
23	4	FAB-2283	Manifold Label Bracket
24	1	SPR-9704	Fresh Water Label
25	1	SPR-9700	Chemical Tank 1 Label
26	1	SPR-9701	Chemical Tank 2 Label
27	1	SPR-9703	Chemical Probe Label
28	1	PPF-BHD-16FL	1" Flange Bulkhead Fitting
29	1	PPF-CV-16FL	1" Flange Check Valve
25'		HSE-7225-12	3/4" PVC Suction Hose
12		FAS-7655-10	3/4" Gear Clamp

**NOTE:**

1. Standard skid 2 chemical pump configuration.
2. 3/4" Hoses & clamps not shown for clarity.

**NORSTAR INDUSTRIES, INC.** 2302 A St. S.E. Auburn WA 98002

TITLE: **INJECTION SKID CLOSED LOADING**

DRAWN BY: <b>J GOULET</b>	CHECKED BY:	SCALE:	PAGE: <b>1/1</b>
DATE CREATED: <b>12/6/07</b>	DRAWING NUMBER: <b>NSC-90157</b>	DATE REVISED: <b>8/28/16</b>	