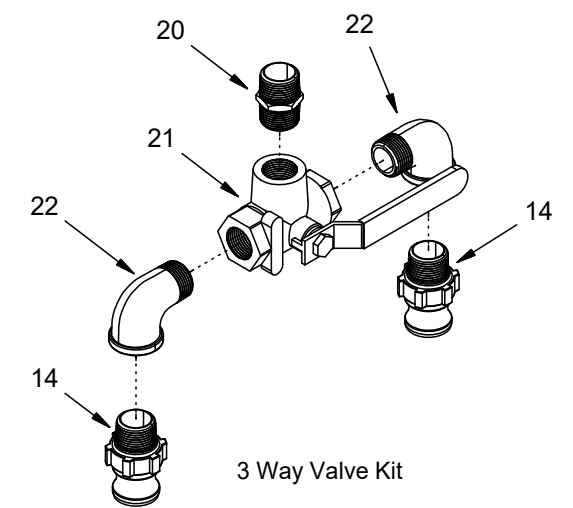
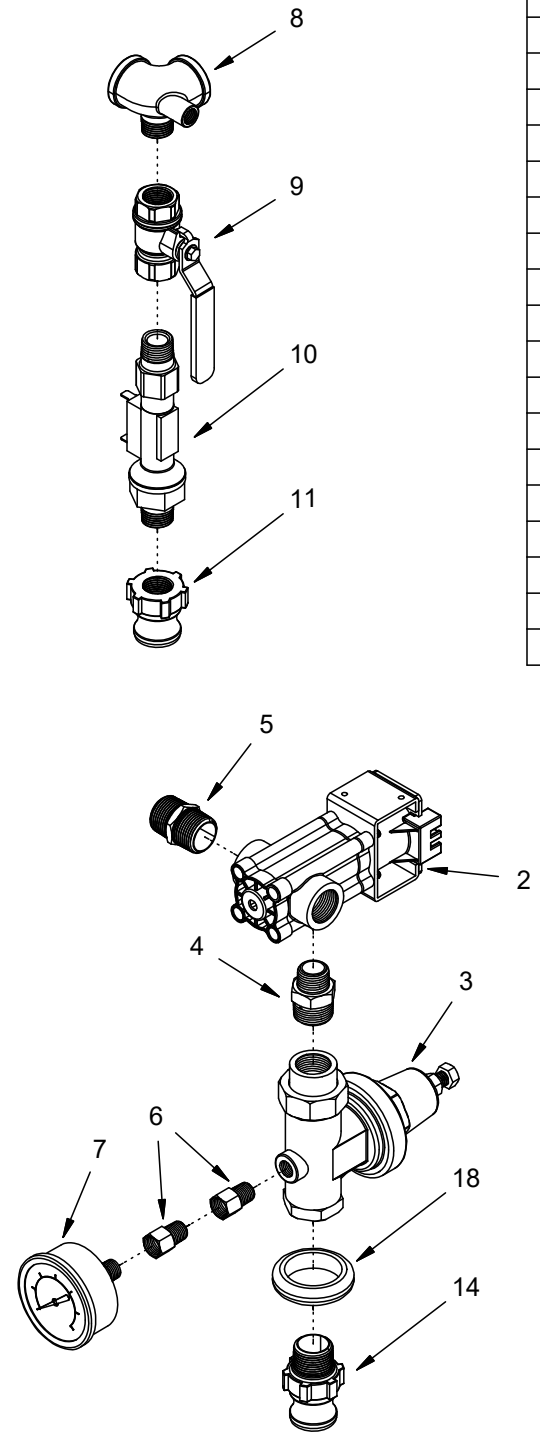


| BILL OF MATERIALS |      |                      |                                |
|-------------------|------|----------------------|--------------------------------|
| ITEM              | QTY  | PART NUMBER          | DESCRIPTION                    |
| 1                 | 1    | FAB-3037             | 9 SECTION SOLENOID BRACKET     |
| 2                 | 9    | SPS-AAI44A-I-VI      | I44A SOLENOID VALVE            |
| 2A                |      | SPS-ABI44-I-VI-KIT   | I44A REPAIR KIT (NOT SHOWN)    |
| 3                 | 9    | SPR-5340-VI          | PRESSURE REGULATOR, 3/4"       |
| 3A                |      | SPR-5340-KIT         | REPAIR KIT (NOT SHOWN)         |
| 4                 | 9    | BRF-HXN-I2MPX08MP    | BRASS HEX NIPPLE, 3/4" X 1/2"  |
| 5                 | 9    | PPF-HXN-I2MP-SHORT   | POLY HEX NIPPLE, 3/4"          |
| 6                 | 18   | BRF-ADP-04FPX04MP    | BRASS ADAPTER, 1/4" X 1/4"     |
| 7                 | 9    | SPR-4827             | LF PRESSURE GAUGE, 0-60 PSI    |
| 8                 | 1    | FAB-3029             | STAINLESS INLET FITTING        |
| 9                 | 1    | LHA-BV08N            | BRASS BALL VALVE, 1/2"         |
| 10                | 1    | SPR-6520             | FLOW SWITCH                    |
| 11                | 1    | PPF-MQD-08FP         | POLY MALE QD, 3/4"             |
| 12                | 1    | SPR-4828             | LF PRESSURE GAUGE, 0-100 PSI   |
| 13                | 18   | FAS-SRP-10-24X3/8-SS | SS ROUND PHILLIPS SCREW        |
| 14                | 9/16 | PPF-MQD-I2MP         | POLY MALE QD, 3/4"             |
| 15                | 9/16 | PPF-FQD-08B          | FEMALE QD, 1/2"                |
| 16                | 2    | PPF-FQD-08X          | POLY QD CAP, 1/2"              |
| 17                | 9    | MIS-9307K72          | GROMMET, 7/8"                  |
| 18                | 9    | MIS-9307K75          | GROMMET, 1-1/2"                |
| 19                | 1    | PPF-HXP-I2MP         | POLY HEX PLUG, 3/4"            |
| 20                | 7    | BRF-HXN-I2MP         | BRASS HEX NIPPLE, 3/4"         |
| 21                | 7    | SPR-520I             | 3-WAY BALL VALVE, 3/4"         |
| 22                | 14   | BRF-9SL-I2P          | BRASS 90° STREET EL, 3/4"      |
| 23                | 50'  | HSE-7200-08          | BOSFLEX HOSE, 1/2" (NOT SHOWN) |
| 24                | 14   | FAS-7655-06          | HOSE CLAMP (NOT SHOWN)         |



**NORSTAR INDUSTRIES, INC.** 2302 A ST SE T: (253) 735-1881  
 AUBURN WA 98002 F: (253) 735-2051

TITLE: 7 SECTION SOLENOID/REGULATOR ASSEMBLY

|                          |                                     |                  |              |
|--------------------------|-------------------------------------|------------------|--------------|
| DRAWN BY:<br>J GOULET    | CHECKED BY:                         | SCALE:           | PAGE:<br>1/1 |
| DATE CREATED:<br>3/31/13 | DRAWING NUMBER:<br>ASM-3093-V4-SKID | REVISION NUMBER: |              |