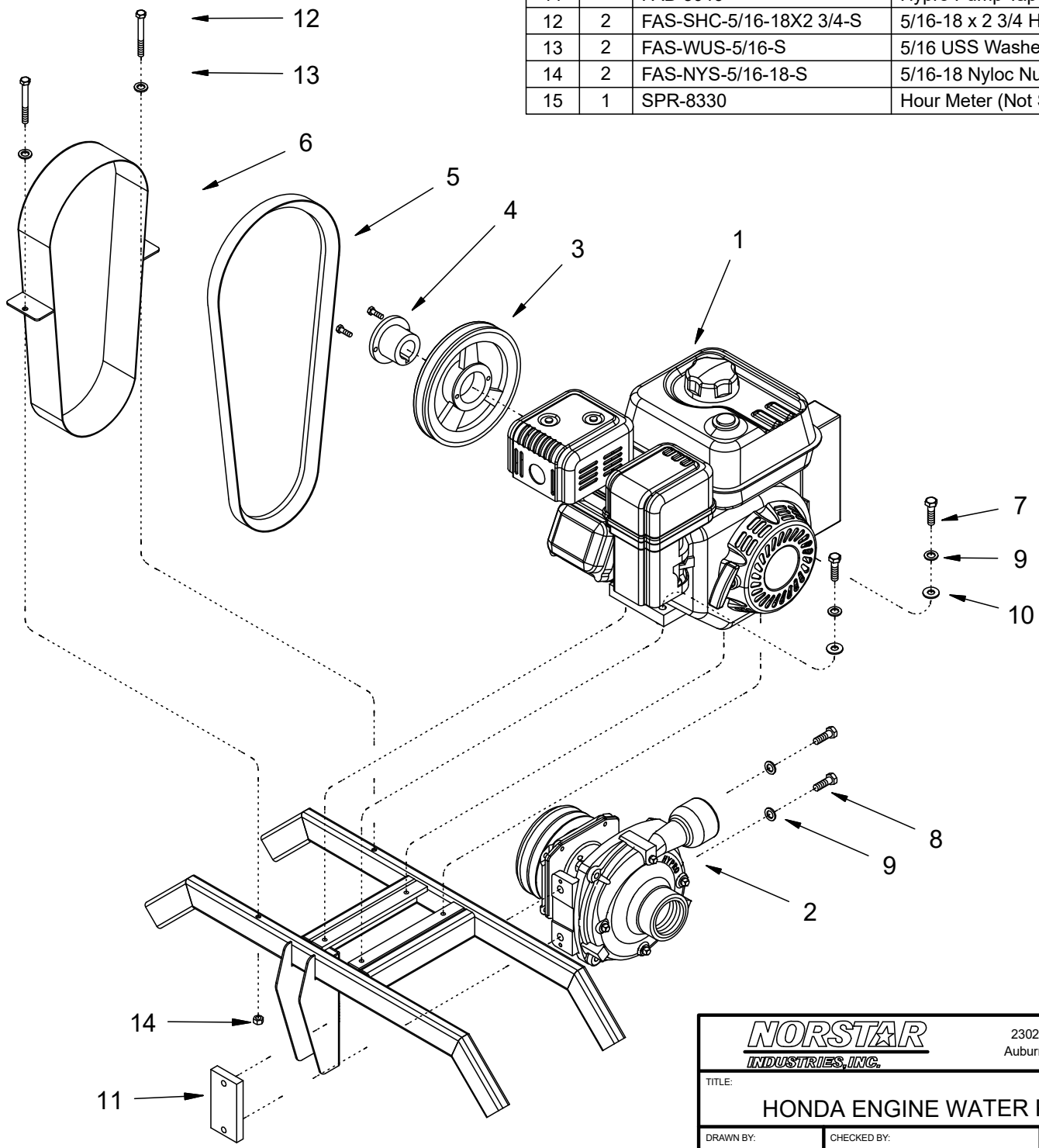


Item	Qty	Part Number	Description
1	1	SPR-8283	GX 270 Honda Engine
2	1	HYP-9263C-C	Hypro Pump with Clutch
2A	1	HYP-9203C	Hypro Pump (Not Shown)
2B	1	HYP-3430-0592	Clutch/Flange Kit (Not Shown)
3	1	SPR-4761	Pulley
4	1	SPR-4765	1" Split bushing
5	1	SPR-4767	V-Belt A42
6	1	FAB-3028	Belt Guard, Skid
7	4	FAS-SHC-3/8-16X1 1/2-S	3/8-16 x 1 1/2 Hex Cap Screw
8	2	FAS-SHC-3/8-16X1 1/4-S	3/8-16 x 1 1/4 Hex Cap Screw
9	6	FAS-WLO-3/8-S	3/8 Lock Washer
10	4	FAS-WUS-3/8-S	3/8 USS Washer
11	1	FAB-3046	Hypro Pump Tap Block - Skid
12	2	FAS-SHC-5/16-18X2 3/4-S	5/16-18 x 2 3/4 Hex Cap Screw
13	2	FAS-WUS-5/16-S	5/16 USS Washer
14	2	FAS-NYS-5/16-18-S	5/16-18 Nyloc Nut
15	1	SPR-8330	Hour Meter (Not Shown)



NORSTAR
INDUSTRIES, INC.

2302 A St. S.E.
Auburn WA 98002

TITLE: **HONDA ENGINE WATER PUMP**

DRAWN BY: J GOULET	CHECKED BY:	SCALE:	PAGE: 1/1
DATE CREATED: 3/2/04	DRAWING NUMBER: ASM-3320-V2	DATE REVISED:	